

Honeywell

FED.MFG.CODE 91929

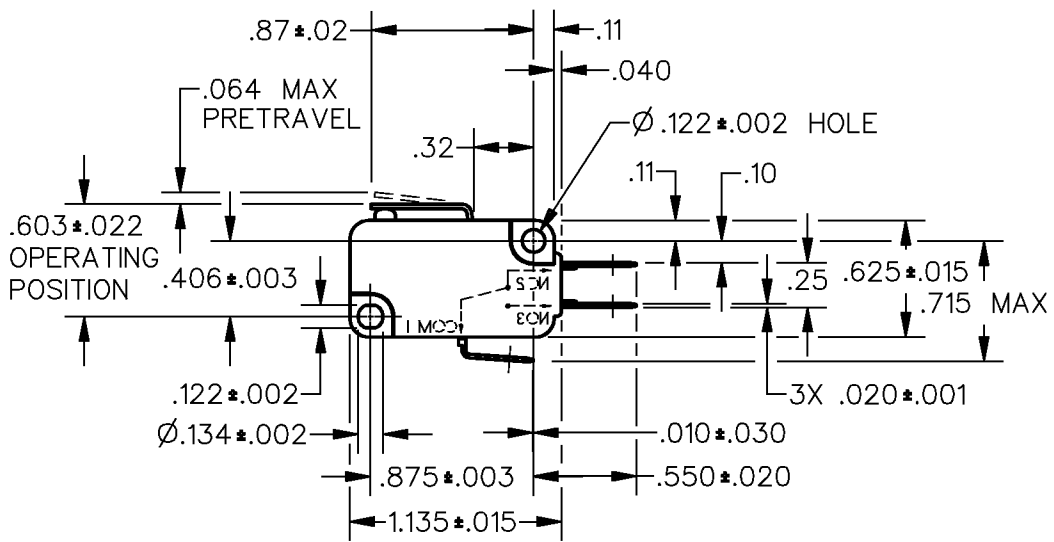
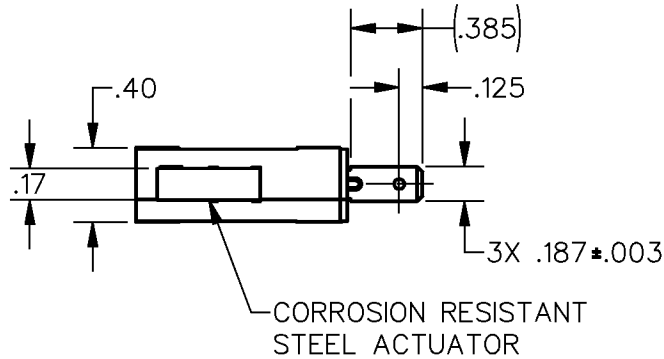
SWITCH - BASIC

CATALOG LISTING

V7-6C18D8-002

CW-C6031

CATALOG LISTING
M
 V7-6C18D8-002
 PAGE 1 OF 1
 ISSUE 3
 RELEASE NO. PR-23334
 REPLACES

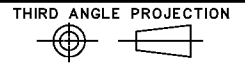


REVISIONS	
A	REL PR23334
3	DCS FEB 98
B	0041196
	JA 01JUL08

CHECK 01JUL08 ASD CHECK 3 FEB 98 DCS CHECK 2 FEB 98 DCS

ANSI Y14.5M-1982 APPLIES

THIS DRAWING COVERS A PROPRIETARY ITEM AND IS THE PROPERTY OF HONEYWELL. THIS DRAWING IS NOT TO BE COPIED OR USED WITHOUT THE APPROVAL OF HONEYWELL.



CHARACTERISTICS	ELECTRICAL DATA	SCALE FULL	DO NOT SCALE PRINT
OPERATING FORCE --- 413 GRAMS MAX	CONTACT ARRANGEMENT S P D T	UNLESS OTHERWISE SPECIFIED TOLERANCES ARE	
DIFFERENTIAL TRAVEL --- .014 MAX	L215 15.1A 1/2HP 125, 250 OR 277 VAC 1/2A 125 VDC 1/4A 250 VDC; 5A 125 VAC "L"	ONE PLACE (.0)	±.030
OVERTRAVEL --- .037 MIN		TWO PLACE (.00)	±.015
RELEASE TRAVEL --- .009 MIN		THREE PLACE (.000)	±.005
		ANGLES	±
		WEIGHT	



RASTER
 DRAWN